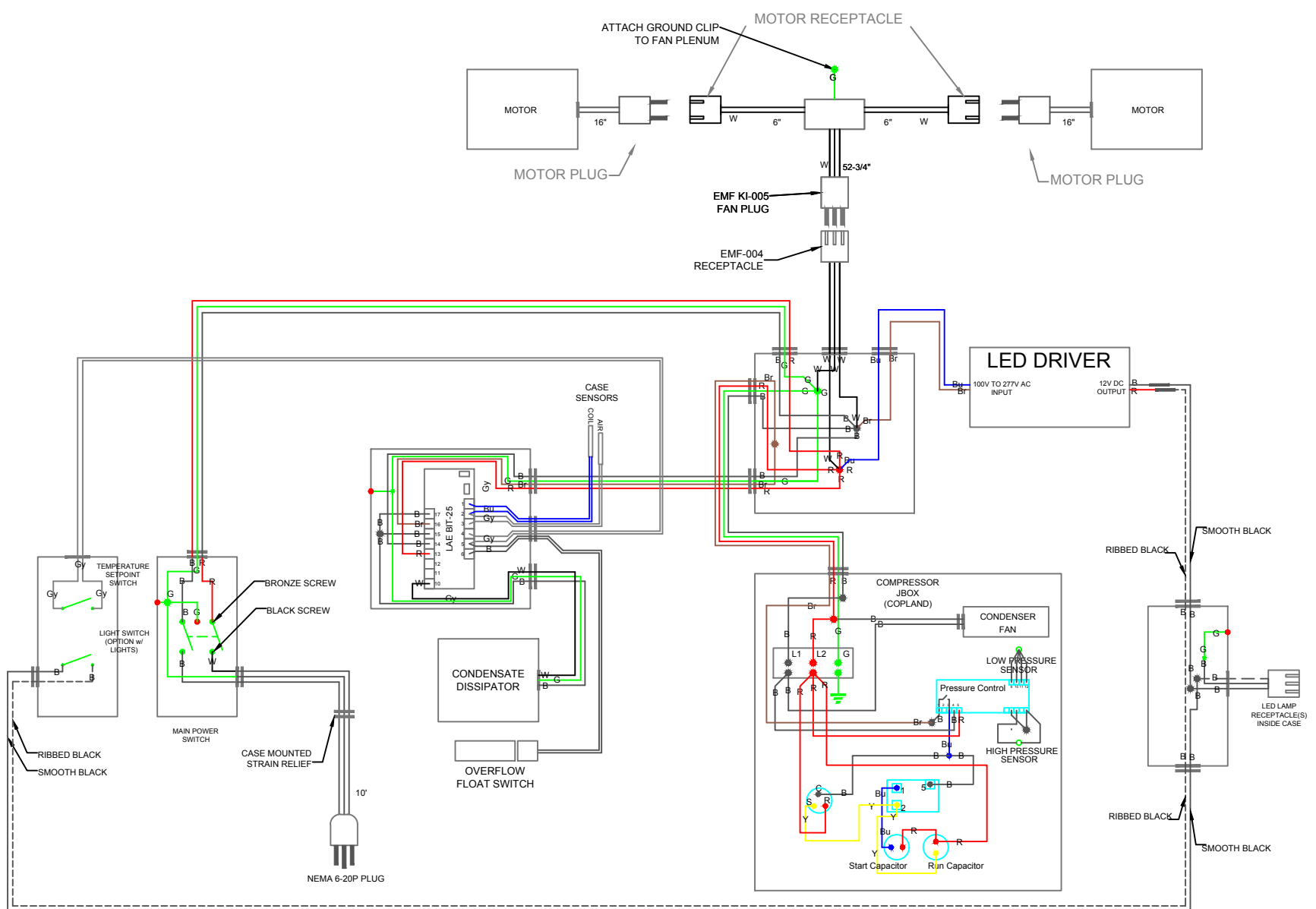


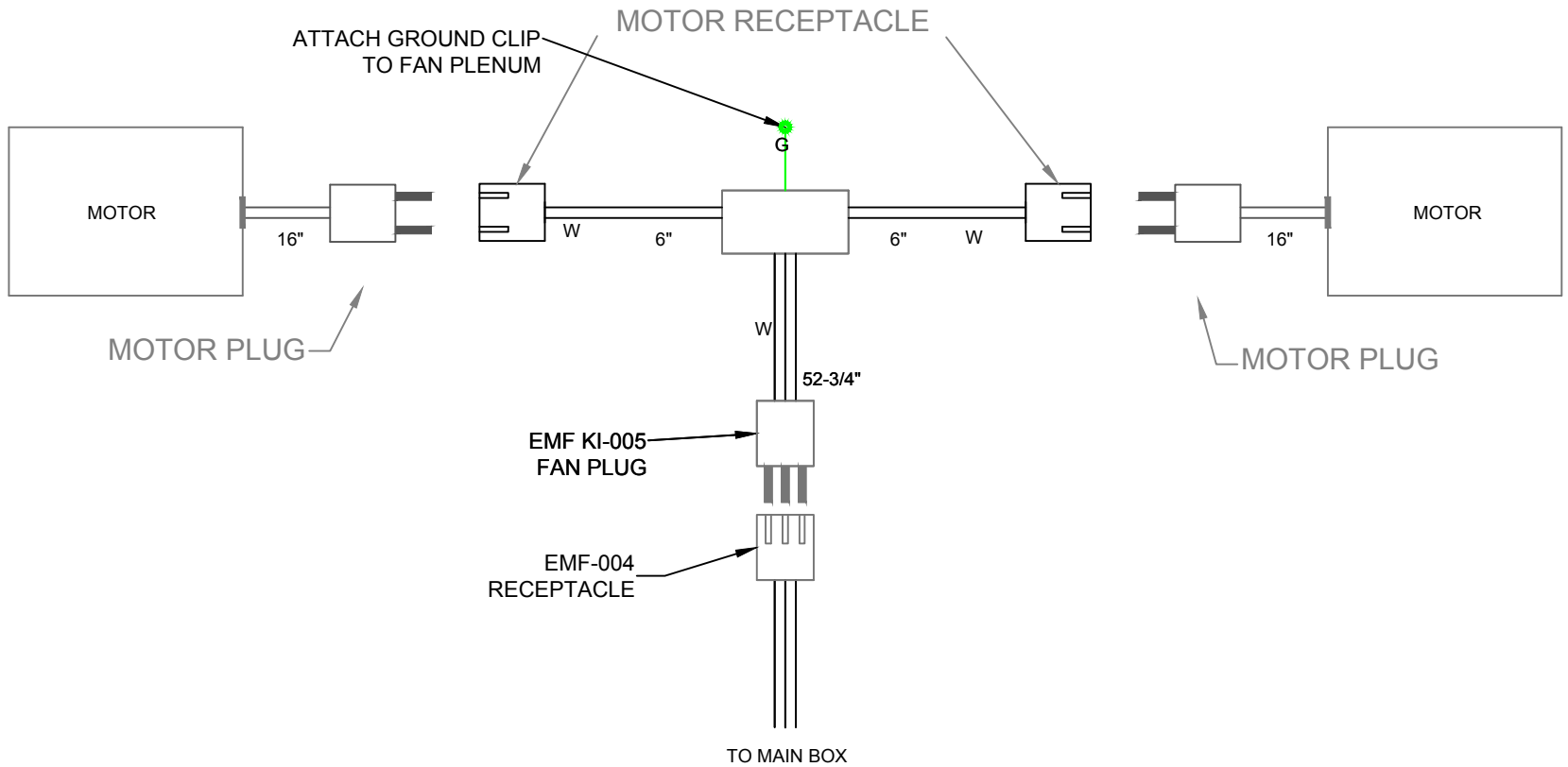
CUSTOMER: **WALMART**
 DESCRIPTION: **208/230 VOLT PFW MOBILE w/ WICK AND INTEGRATED CHIMNEY**
 manufactured by: **KILLION INDUSTRIES, INC.**
 1380 Poinsettia Ave.
 Vista, CA 92081
 voice: 800-421-5352
 fax: 760-727-1622
 email: sales@killionindustries.com
NOTICE
 THIS DOCUMENT CONTAINS CONFIDENTIAL AND PROPRIETARY MATERIAL WHICH IS THE PROPERTY OF KILLION INDUSTRIES, INC. AND MAY NOT BE COPIED OR REPRODUCED. THIS DOCUMENT IS LOANED AND SUBJECT TO RETURN UPON DEMAND.
 DO NOT SCALE
 DATE: 05/22/18
 BY: ETT
 SAVED AS: 208-230 Volt PFWMobile Wick Electrical LAE



- G = GREEN**
- W = WHITE**
- B = BLACK**
- R = RED**
- Br = BROWN**
- Bu = BLUE**
- Y = YELLOW**
- Gy = GRAY**

NOTE: SPECIFICATIONS ARE SUBJECT TO CHANGE WITHOUT NOTICE.

FAN MOTOR DETAIL



- G = GREEN
- W = WHITE
- B = BLACK
- R = RED
- Br = BROWN
- Bu = BLUE
- Y = YELLOW
- Gy = GRAY

manufactured by:



1380 Poinsettia Ave.
Vista, CA 92081

voice: 800-421-5352
fax: 760-727-1622
email: sales@killionindustries.com

NOTICE

THIS DOCUMENT CONTAINS CONFIDENTIAL AND PROPRIETARY MATERIAL WHICH IS THE PROPERTY OF KILLION INDUSTRIES, INC. AND MAY NOT BE COPIED OR REPRODUCED. THIS DOCUMENT IS LOANED AND SUBJECT TO RETURN UPON DEMAND.

DESCRIPTION: 208/230 VOLT PFW MOBILE w/ WICK AND INTEGRATED CHIMNEY
CUSTOMER: WALMART

DO NOT SCALE
DATE: 05/22/18
BY: ETT

SAVED AS: 208-230 Volt PFWMobile Wick Electrical LAE

NOTE: SPECIFICATIONS ARE SUBJECT TO CHANGE WITHOUT NOTICE.

MAIN BOX AND CONTROLLER DETAIL

manufactured by:

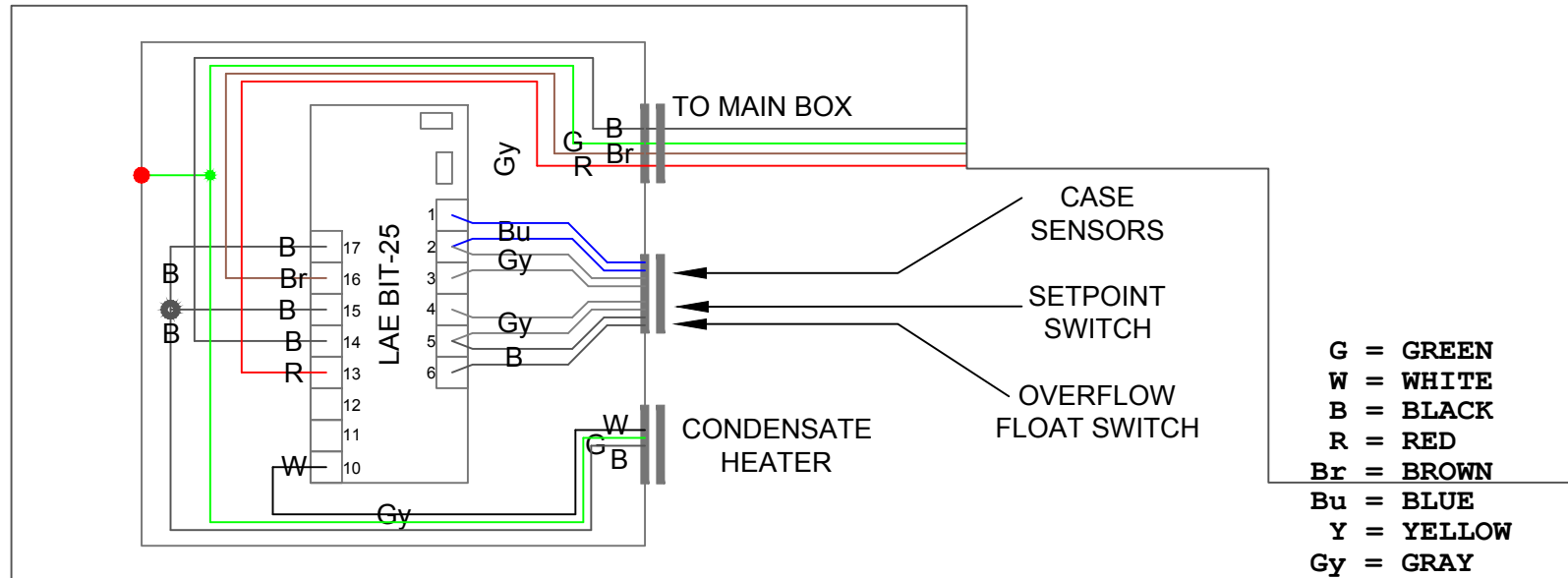
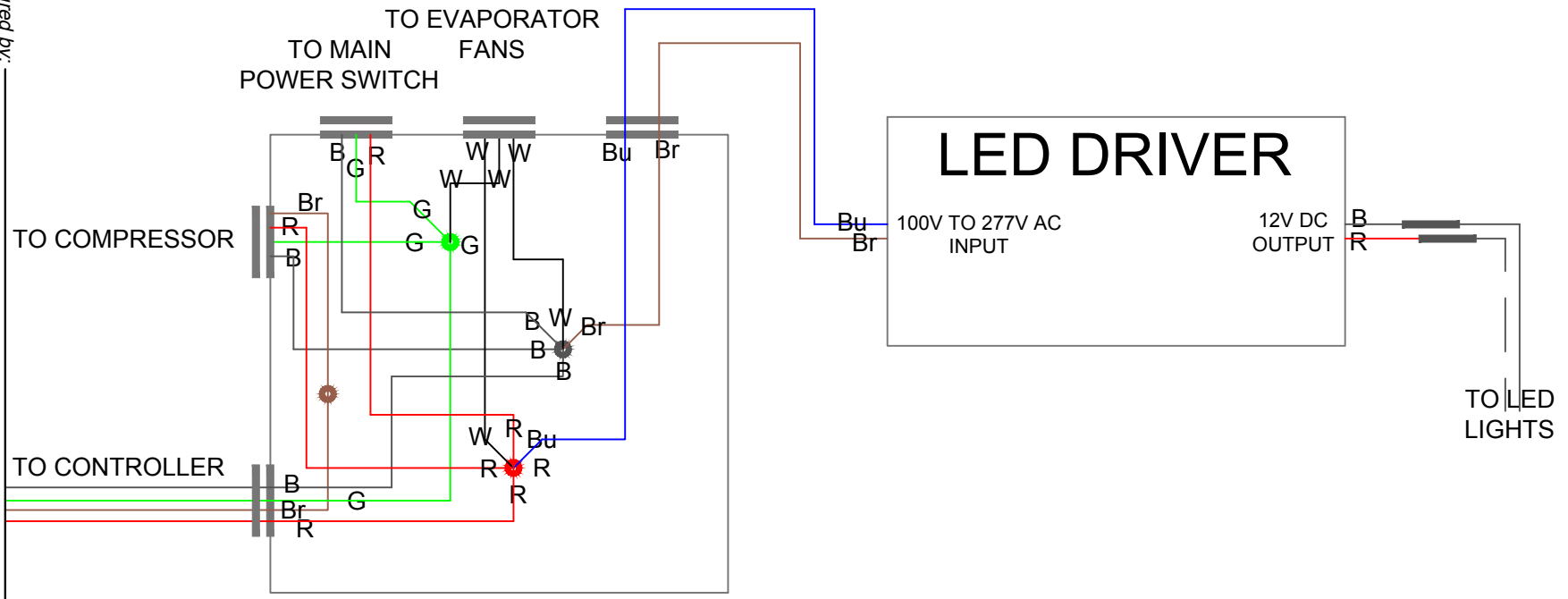


1380 Poinsettia Ave.
Vista, CA 92081

voice: 800-421-5352
fax: 760-727-1622
email: sales@killionindustries.com

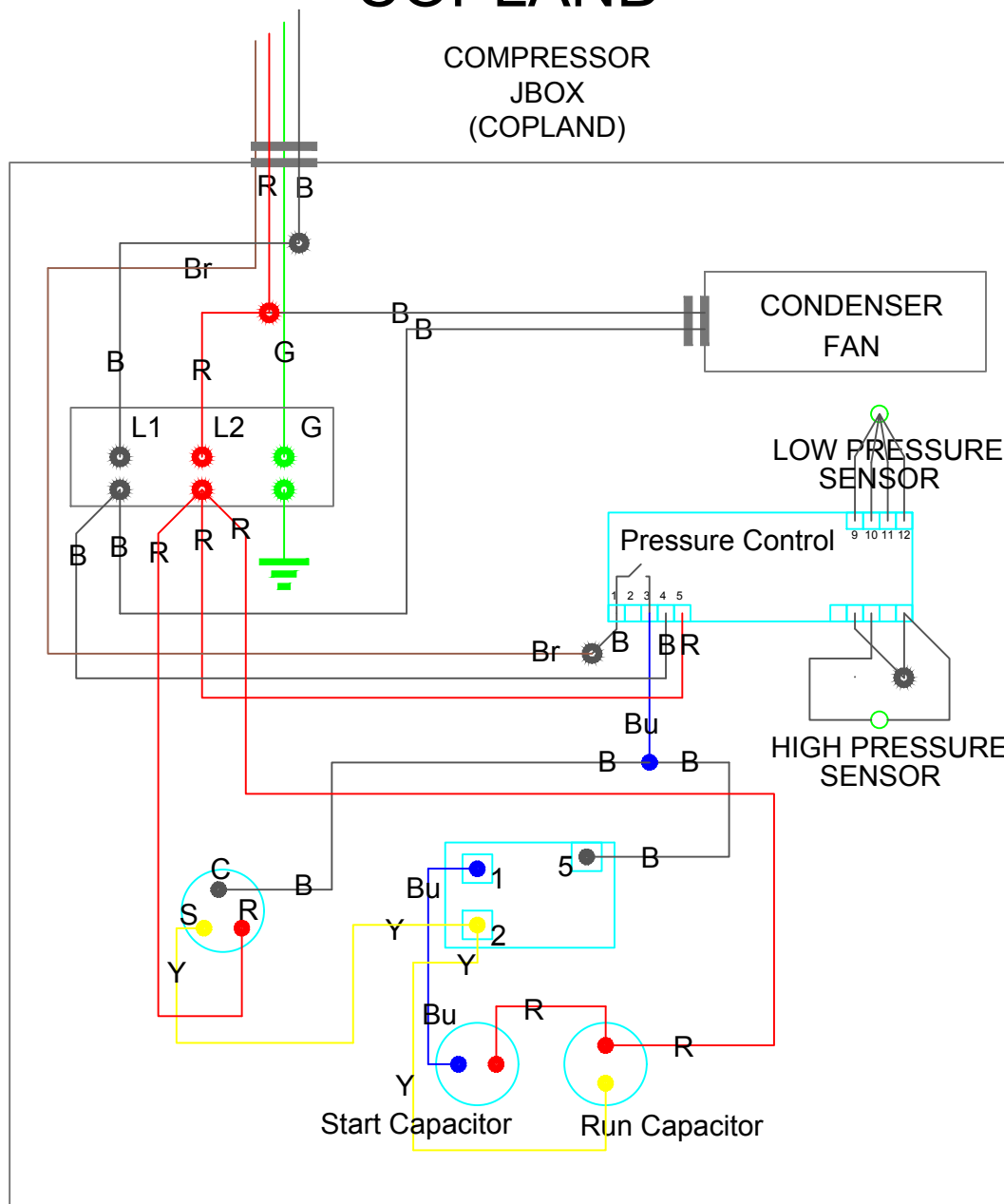
NOTICE
THIS DOCUMENT CONTAINS CONFIDENTIAL AND PROPRIETARY MATERIAL WHICH IS THE PROPERTY OF KILLION INDUSTRIES, INC. AND MAY NOT BE COPIED OR REPRODUCED. THIS DOCUMENT IS LOANED AND SUBJECT TO RETURN UPON DEMAND.

CUSTOMER: WARMART
DESCRIPTION: 208/230 VOLT PFW MOBILE w/ WICK AND INTEGRATED CHIMNEY
DATE: 05/22/18
BY: ETT



COMPRESSOR DETAIL COPLAND

COMPRESSOR
JBOX
(COPLAND)



- G = GREEN
- W = WHITE
- B = BLACK
- R = RED
- Br = BROWN
- Bu = BLUE
- Y = YELLOW
- Gy = GRAY



manufactured by:

1380 Poinsettia Ave.
Vista, CA 92081

voice: 800-421-5352
fax: 760-727-1622
email: sales@killionindustries.com

NOTICE
THIS DOCUMENT CONTAINS CONFIDENTIAL AND PROPRIETARY MATERIAL WHICH IS THE PROPERTY OF KILLION INDUSTRIES, INC. AND MAY NOT BE COPIED OR REPRODUCED. THIS DOCUMENT IS LOANED AND SUBJECT TO RETURN UPON DEMAND.

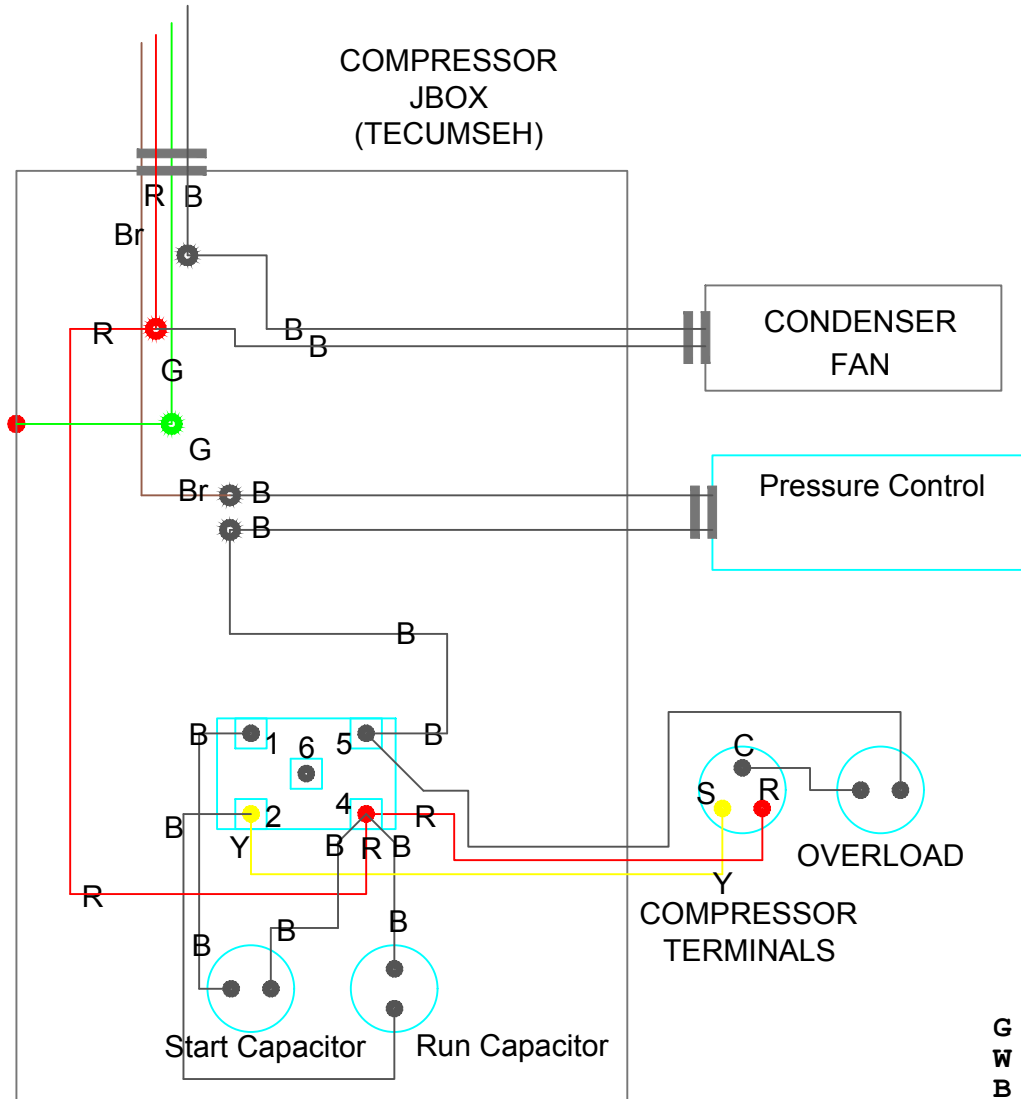
CUSTOMER: WALMART
DESCRIPTION: 208/230 VOLT PFW MOBILE w/ WICK AND INTEGRATED CHIMNEY

DO NOT SCALE
DATE: 05/22/18
BY: ETT

SAVED AS: 208-230 Volt PFWMobile Wick Electrical LAE

NOTE: SPECIFICATIONS ARE SUBJECT TO CHANGE WITHOUT NOTICE.

COMPRESSOR DETAIL TECUMSEH



- G = GREEN
- W = WHITE
- B = BLACK
- R = RED
- Br = BROWN
- Bu = BLUE
- Y = YELLOW
- Gy = GRAY

manufactured by:



1380 Poinsettia Ave.
Vista, CA 92081

voice: 800-421-5352
fax: 760-727-1622
email: sales@killionindustries.com

NOTICE

THIS DOCUMENT CONTAINS CONFIDENTIAL AND PROPRIETARY MATERIAL WHICH IS THE PROPERTY OF KILLION INDUSTRIES, INC. AND MAY NOT BE COPIED OR REPRODUCED. THIS DOCUMENT IS LOANED AND SUBJECT TO RETURN UPON DEMAND.

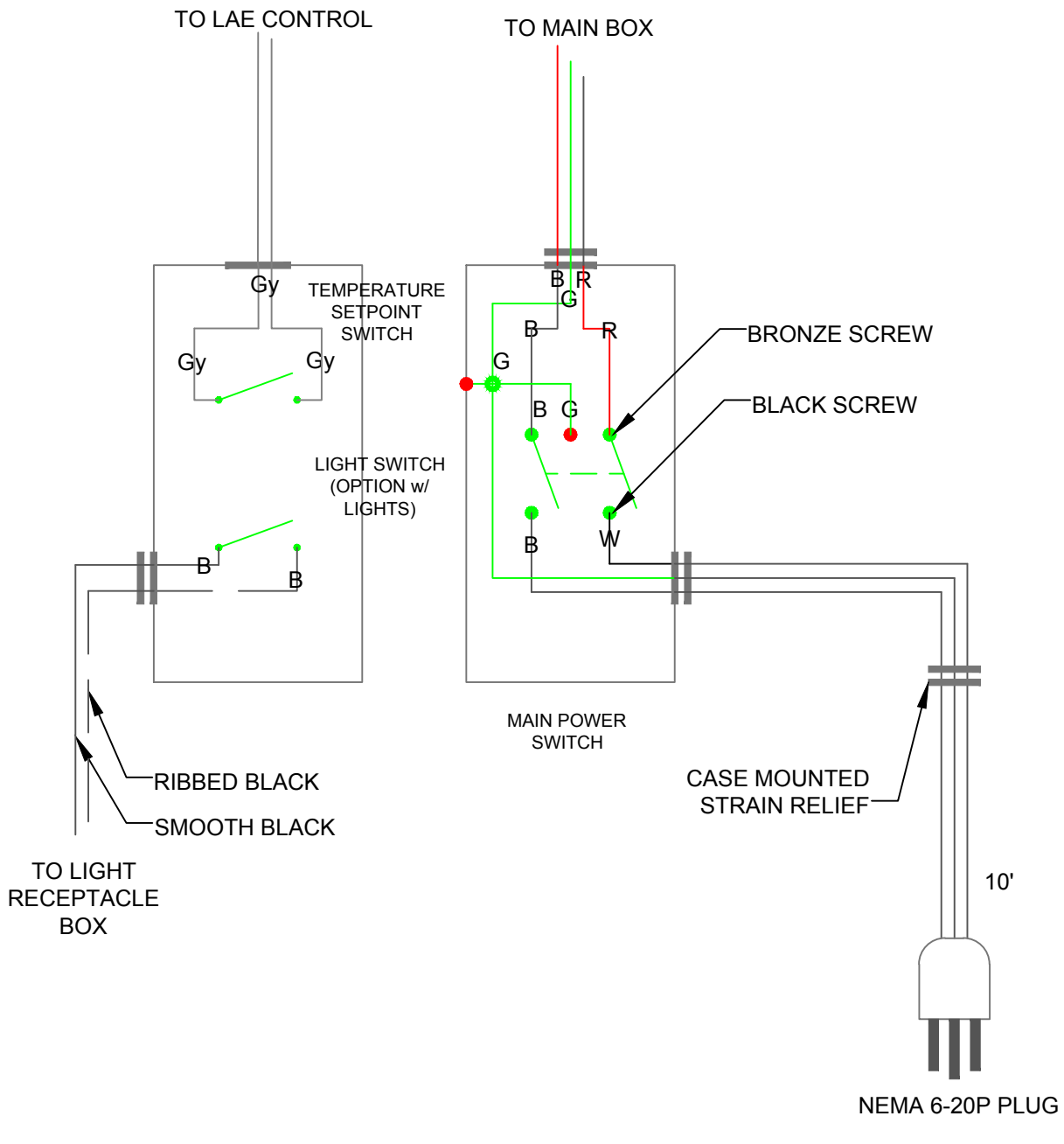
DESCRIPTION: 208/230 VOLT PFW MOBILE w/ WICK AND INTEGRATED CHIMNEY
CUSTOMER: WALMART

DO NOT SCALE
DATE: 05/22/18
BY: ETT

SAVED AS: 208-230 Volt PFWMobile Wick Electrical LAE

NOTE: SPECIFICATIONS ARE SUBJECT TO CHANGE WITHOUT NOTICE.

MAIN SWITCH DETAIL



- G = GREEN
- W = WHITE
- B = BLACK
- R = RED
- Br = BROWN
- Bu = BLUE
- Y = YELLOW
- Gy = GRAY

manufactured by:



1380 Poinsettia Ave.
Vista, CA 92081

voice: 800-421-5352
fax: 760-727-1622
email: sales@killionindustries.com

NOTICE

THIS DOCUMENT CONTAINS CONFIDENTIAL AND PROPRIETARY MATERIAL WHICH IS THE PROPERTY OF KILLION INDUSTRIES, INC. AND MAY NOT BE COPIED OR REPRODUCED. THIS DOCUMENT IS LOANED AND SUBJECT TO RETURN UPON DEMAND.

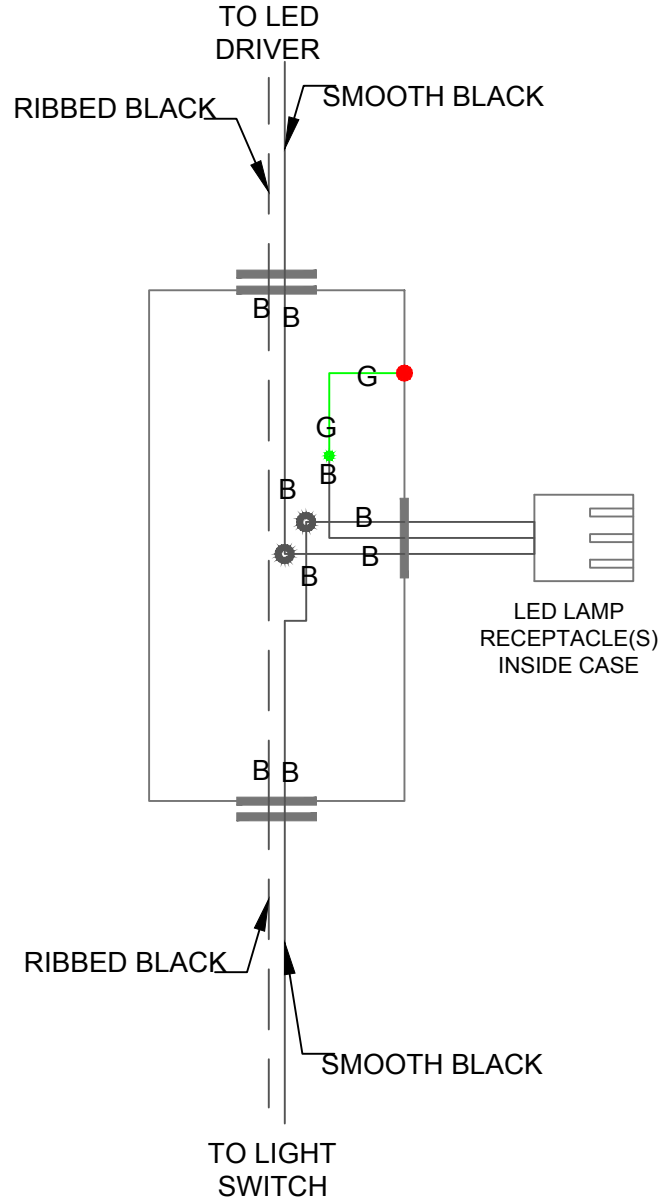
DESCRIPTION: 208/230 VOLT PFW MOBILE w/ WICK AND INTEGRATED CHIMNEY
CUSTOMER: WALMART

DO NOT SCALE
DATE: 05/22/18
BY: ETT

SAVED AS: 208-230 Volt PFWMobile Wick Electrical LAE

NOTE: SPECIFICATIONS ARE SUBJECT TO CHANGE WITHOUT NOTICE.

LIGHTING DETAIL



- G = GREEN
- W = WHITE
- B = BLACK
- R = RED
- Br = BROWN
- Bu = BLUE
- Y = YELLOW
- Gy = GRAY

manufactured by:



1380 Poinsettia Ave.
Vista, CA 92081

voice: 800-421-5352
fax: 760-727-1622
email: sales@killionindustries.com

NOTICE

THIS DOCUMENT CONTAINS CONFIDENTIAL AND PROPRIETARY MATERIAL WHICH IS THE PROPERTY OF KILLION INDUSTRIES, INC. AND MAY NOT BE COPIED OR REPRODUCED. THIS DOCUMENT IS LOANED AND SUBJECT TO RETURN UPON DEMAND.

DESCRIPTION: 208/230 VOLT PFW MOBILE w/ WICK AND INTEGRATED CHIMNEY
CUSTOMER: WALMART

DO NOT SCALE

DATE: 05/22/18

BY: ETT

SAVED AS: 208-230 Volt PFWMobile Wick Electrical LAE

NOTE: SPECIFICATIONS ARE SUBJECT TO CHANGE WITHOUT NOTICE.