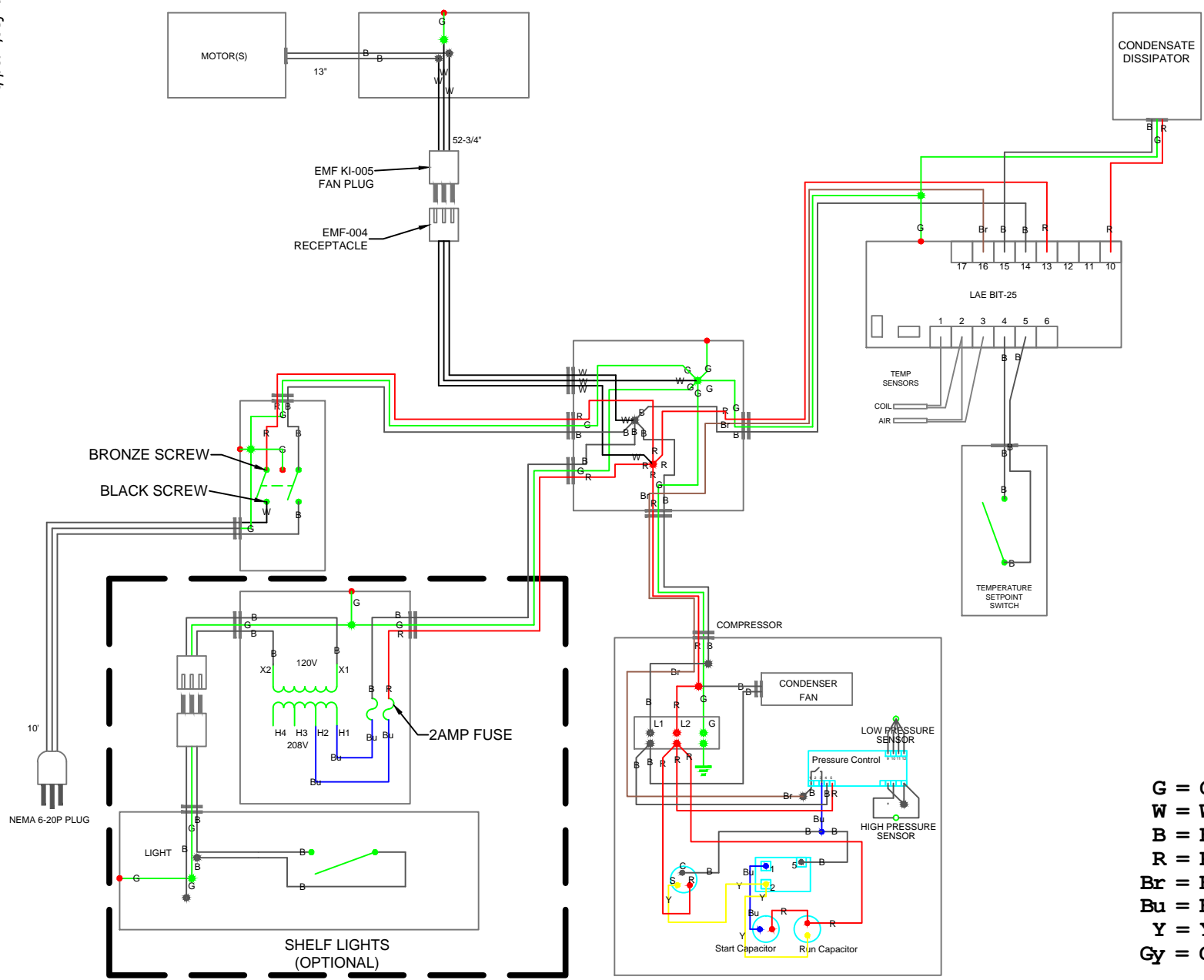


manufactured by: **KILLION INDUSTRIES, INC.**
 1380 Poinsettia Ave.
 Vista, CA 92081
 voice: 800-421-5352
 fax: 760-727-1622
 email: sales@killionindustries.com
 DESCRIPTION: 208/230 VOLT PFW/XAP/BFSC/BSSC MOBILE W/ WICK/HOT LOOP
 CUSTOMER: KILLION SL
 NOTICE: THIS DOCUMENT CONTAINS CONFIDENTIAL AND PROPRIETARY MATERIAL WHICH IS THE PROPERTY OF KILLION INDUSTRIES, INC. AND MAY NOT BE COPIED OR REPRODUCED. THIS DOCUMENT IS LOANED AND SUBJECT TO RETURN UPON DEMAND.
 DO NOT SCALE
 DATE: 07/02/14
 BY: ETT
 SAVED AS: 208-230 Volt PFW-XAP-BFSC-BSSC Mobile Wick Electrical LAE

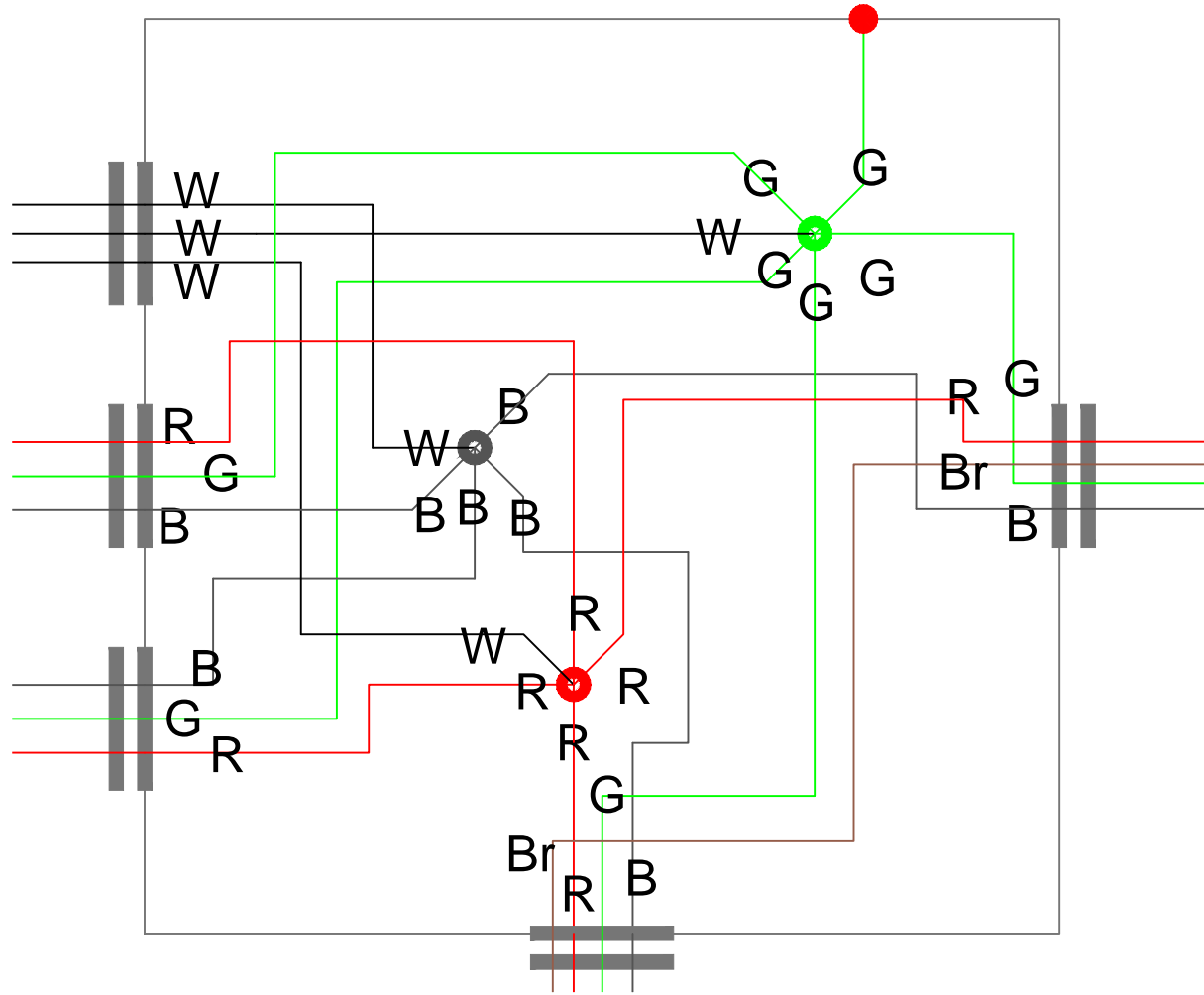
MAIN WIRING HARNESS



- G = GREEN
- W = WHITE
- B = BLACK
- R = RED
- Br = BROWN
- Bu = BLUE
- Y = YELLOW
- Gy = GRAY

NOTE: SPECIFICATIONS ARE SUBJECT TO CHANGE WITHOUT NOTICE.

J-BOX DETAIL



- G = GREEN
- W = WHITE
- B = BLACK
- R = RED
- Br = BROWN
- Bu = BLUE
- Y = YELLOW
- Gy = GRAY

manufactured by: **KILLION INDUSTRIES, INC.**
 1380 Poinsettia Ave.
 Vista, CA 92081
 voice: 800-421-5352
 fax: 760-727-1622
 email: sales@killionindustries.com

DESCRIPTION: 208/230 VOLT PFW/XAP/BFSC/BSSC MOBILE W/ WICK/HOT LOOP
 CUSTOMER: KILLION SL

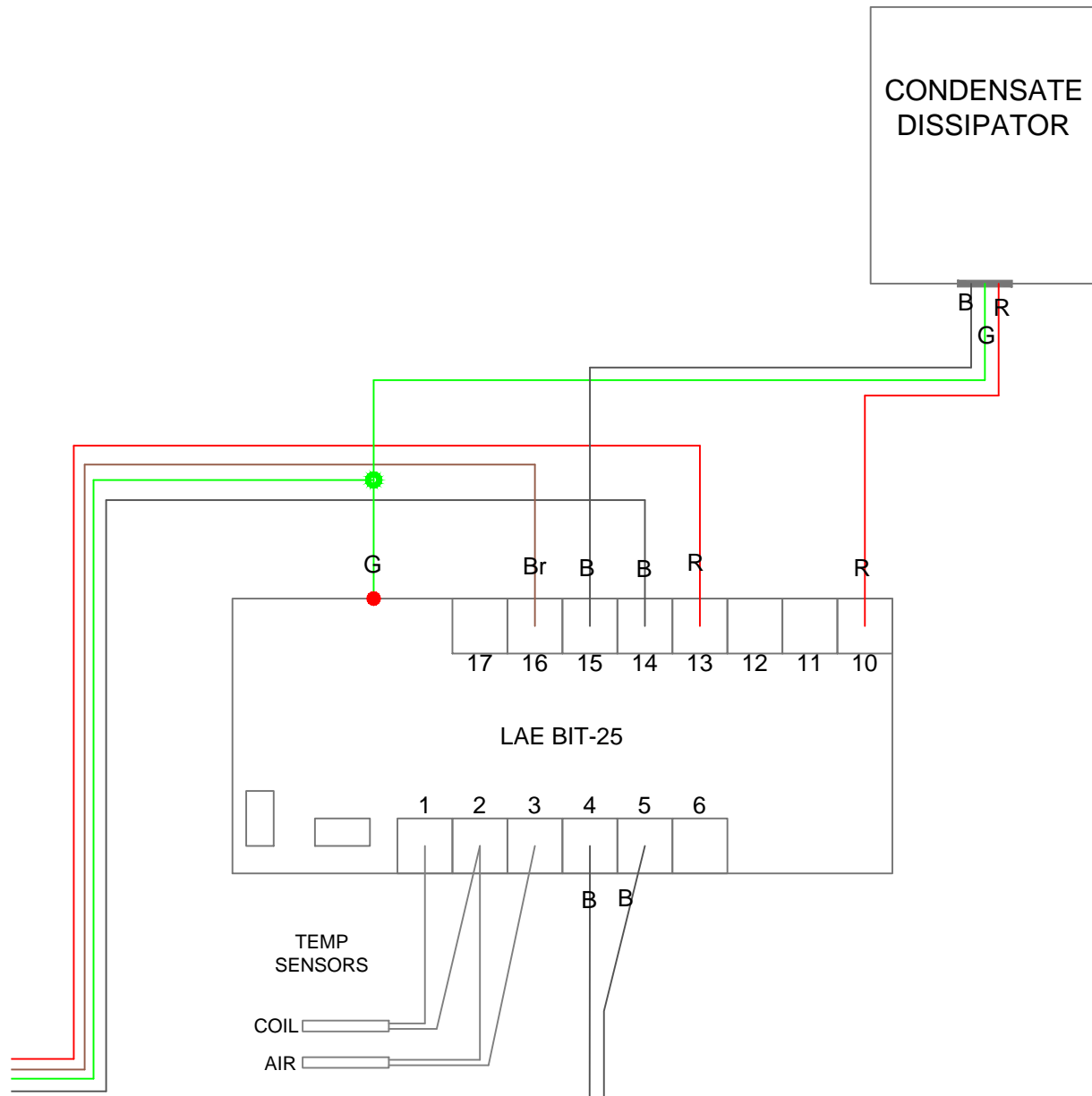
NOTICE
 THIS DOCUMENT CONTAINS CONFIDENTIAL AND PROPRIETARY MATERIAL WHICH IS THE PROPERTY OF KILLION INDUSTRIES, INC. AND MAY NOT BE COPIED OR REPRODUCED. THIS DOCUMENT IS LOANED AND SUBJECT TO RETURN UPON DEMAND.

DO NOT SCALE
 DATE: 07/02/14
 BY: ETT

SAVED AS: 208-230 Volt PFW-XAP-BFSC-BSSC Mobile Wick Electrical LAE

NOTE: SPECIFICATIONS ARE SUBJECT TO CHANGE WITHOUT NOTICE.

CONTROLLER DETAIL



- G = GREEN
- W = WHITE
- B = BLACK
- R = RED
- Br = BROWN
- Bu = BLUE
- Y = YELLOW
- Gy = GRAY

manufactured by:



1380 Poinsettia Ave.
Vista, CA 92081

voice: 800-421-5352
fax: 760-727-1622
email: sales@killionindustries.com

NOTICE

THIS DOCUMENT CONTAINS CONFIDENTIAL AND PROPRIETARY MATERIAL WHICH IS THE PROPERTY OF KILLION INDUSTRIES, INC. AND MAY NOT BE COPIED OR REPRODUCED. THIS DOCUMENT IS LOANED AND SUBJECT TO RETURN UPON DEMAND.

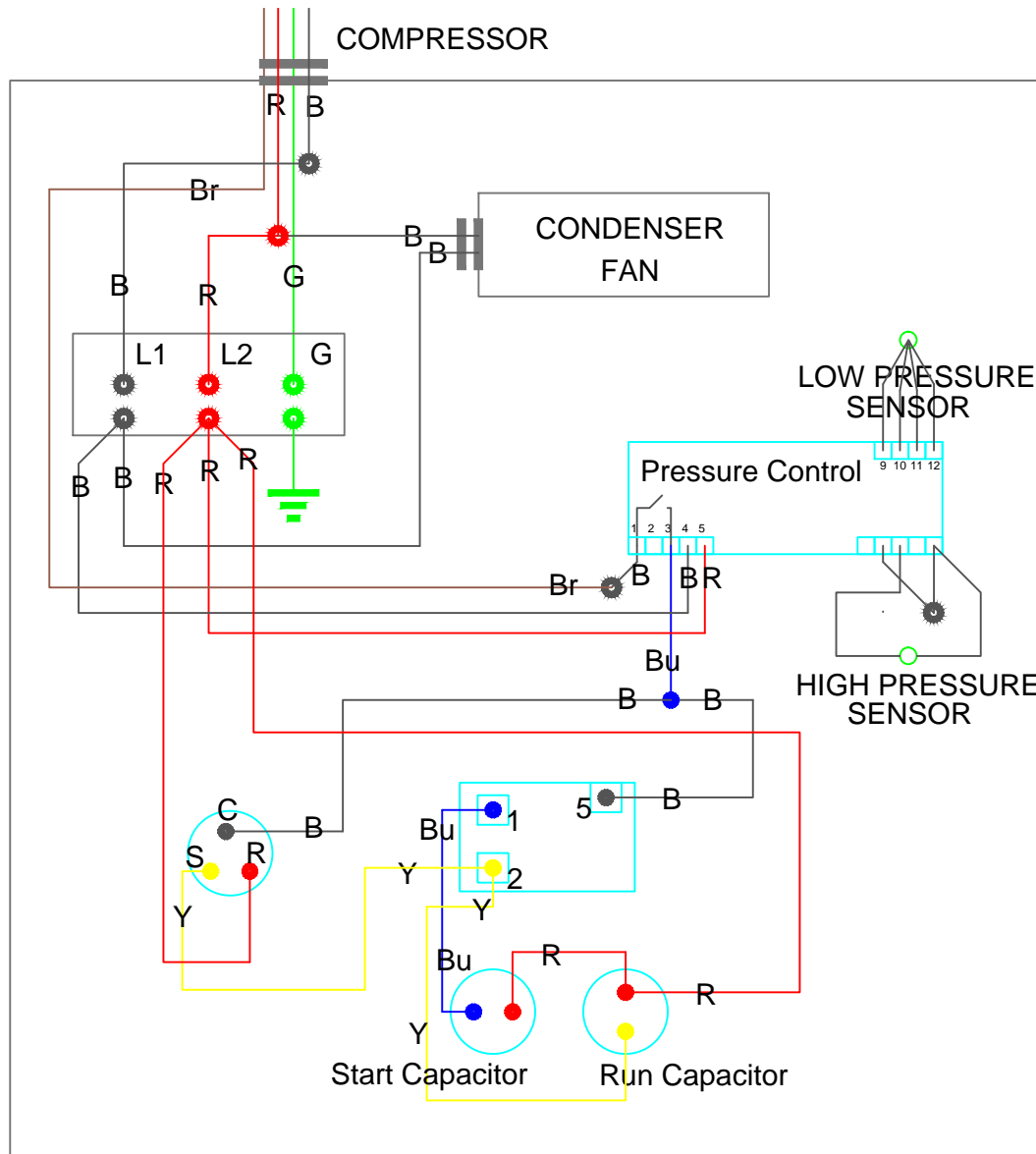
DESCRIPTION: 208/230 VOLT PFW/XAP/BFSC/BSSC MOBILE W/ WICK/HOT LOOP
CUSTOMER: KILLION SL

DO NOT SCALE
DATE: 07/02/14
BY: ETT

SAVED AS: 208-230 Volt PFW-XAP-BFSC-BSSC Mobile Wick Electrical LAE

NOTE: SPECIFICATIONS ARE SUBJECT TO CHANGE WITHOUT NOTICE.

COMPRESSOR DETAIL



- G = GREEN
- W = WHITE
- B = BLACK
- R = RED
- Br = BROWN
- Bu = BLUE
- Y = YELLOW
- Gy = GRAY

manufactured by:



1380 Poinsettia Ave.
Vista, CA 92081

voice: 800-421-5352
fax: 760-727-1622
email: sales@killionindustries.com

NOTICE
THIS DOCUMENT CONTAINS CONFIDENTIAL AND PROPRIETARY MATERIAL WHICH IS THE PROPERTY OF KILLION INDUSTRIES, INC. AND MAY NOT BE COPIED OR REPRODUCED. THIS DOCUMENT IS LOANED AND SUBJECT TO RETURN UPON DEMAND.

CUSTOMER: KILLION SL
DESCRIPTION: 208/230 VOLT PFW/XAP/BFSC/BSSC MOBILE W/ WICK/HOT LOOP

DO NOT SCALE

DATE: 07/02/14

BY: ETT

SAVED AS: 208-230 Volt PFW-XAP-BFSC-BSSC Mobile Wick Electrical LAE

NOTE: SPECIFICATIONS ARE SUBJECT TO CHANGE WITHOUT NOTICE.