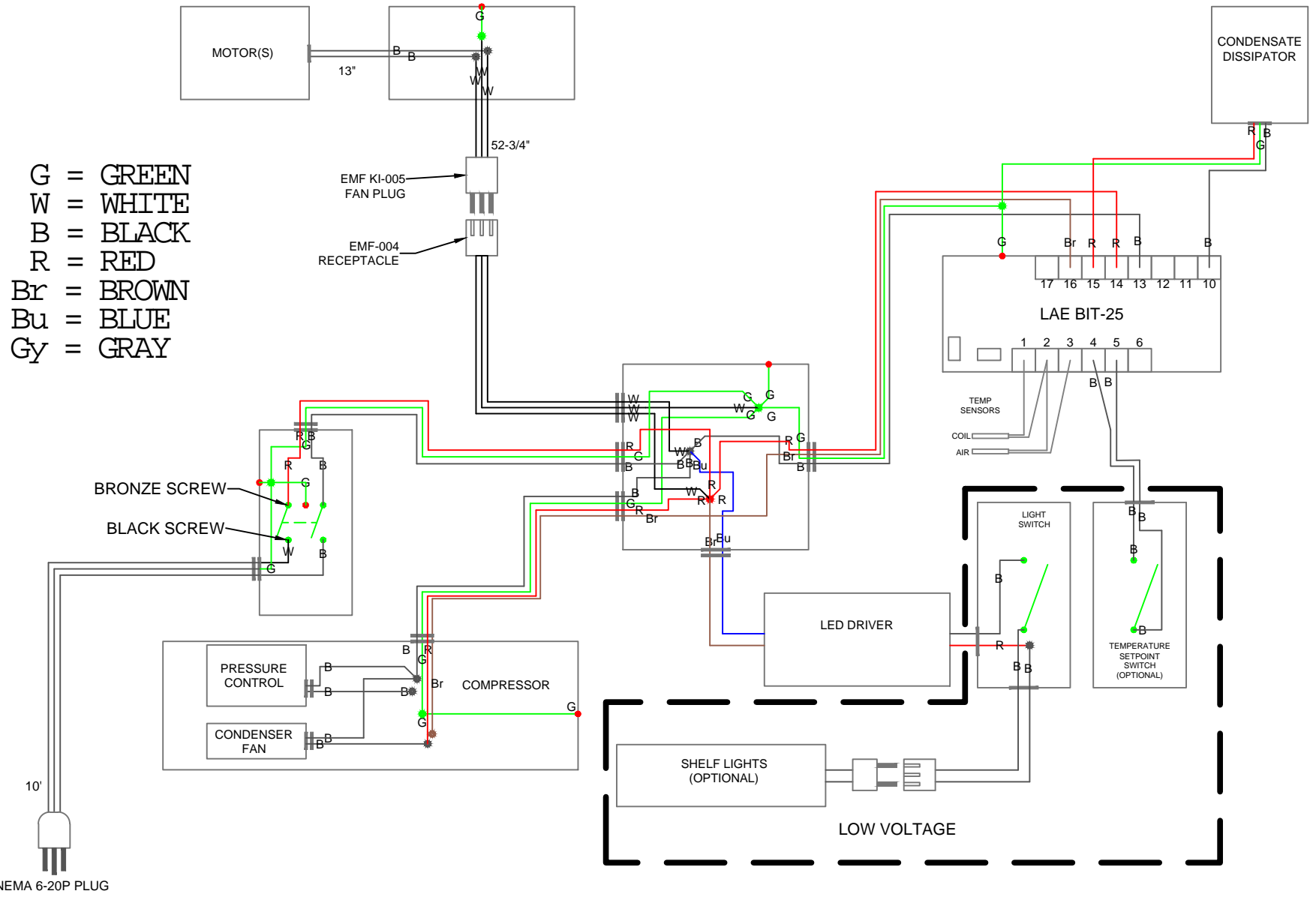


MAIN WIRING HARNESS



DESCRIPTION: **KILLION INDUSTRIES, INC.**

1380 Poinsettia Ave.
Visita, CA 92081

voice: 800-421-5352
fax: 760-727-5108
email: sales@killionindustries.com

208-230V PFW-50 MOBILE ELECTRICAL w/ DISSIPATOR

CUSTOMER: KILLION SL

manufactured by:

NOTICE
THIS DOCUMENT CONTAINS CONFIDENTIAL AND PROPRIETARY MATERIAL WHICH IS THE PROPERTY OF KILLION INDUSTRIES, INC. AND MAY NOT BE COPIED OR REPRODUCED. THIS DOCUMENT IS UNCLASSIFIED AND SUBJECT TO RETURN UPON DEMAND.

CONTROLLER DETAIL

manufactured by: **KILLION INDUSTRIES, INC.**
 1380 Poinsettia Ave.
 Vista, CA 92081
 voice: 800-421-5352
 fax: 760-727-5108
 email: sales@killionindustries.com
 DESCRIPTION: 208-230V PFW-50 MOBILE ELECTRICAL w/ DISSIPATOR
 CUSTOMER: KILLION SL

NOTICE
 THIS DOCUMENT CONTAINS CONFIDENTIAL AND PROPRIETARY MATERIAL WHICH IS THE PROPERTY OF KILLION INDUSTRIES, INC. AND MAY NOT BE COPIED OR REPRODUCED. THIS DOCUMENT IS LOANED AND SUBJECT TO RETURN UPON DEMAND.

DO NOT SCALE
 DATE: 12/31/14
 BY: ETT

SAVED AS: 208-230 Volt PFW-50 Mobile WICK Electrical LAE.dwg

