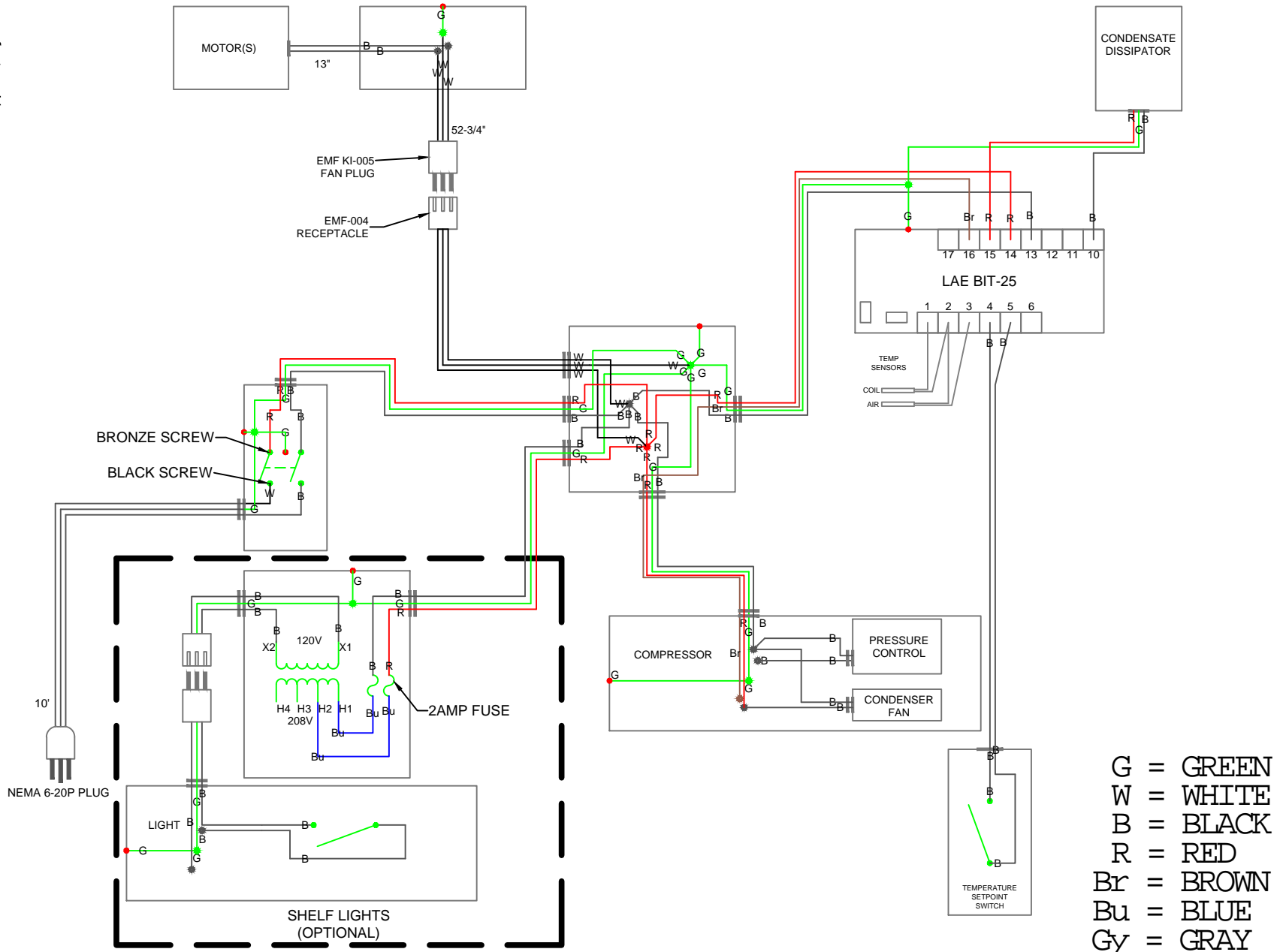


CUSTOMER: **KILLION SL**  
 DESCRIPTION: **208-230V PFW-XAP-BFSC-BSSC MOBILE ELECTRICAL w/ DISSIPATOR**  
 manufactured by: **KILLION INDUSTRIES, INC.**  
**1380 Poinsettia Ave.**  
**Vista, CA 92081**  
 voice: 800-421-5352  
 fax: 760-727-5108  
 email: sales@killionindustries.com  
**NOTICE**  
 THIS DOCUMENT CONTAINS CONFIDENTIAL AND PROPRIETARY MATERIAL WHICH IS THE PROPERTY OF KILLION INDUSTRIES, INC. AND MAY NOT BE COPIED OR REPRODUCED. THIS DOCUMENT IS UNCLASSIFIED AND SUBJECT TO RETURN UPON DEMAND.

**MAIN WIRING HARNESS**

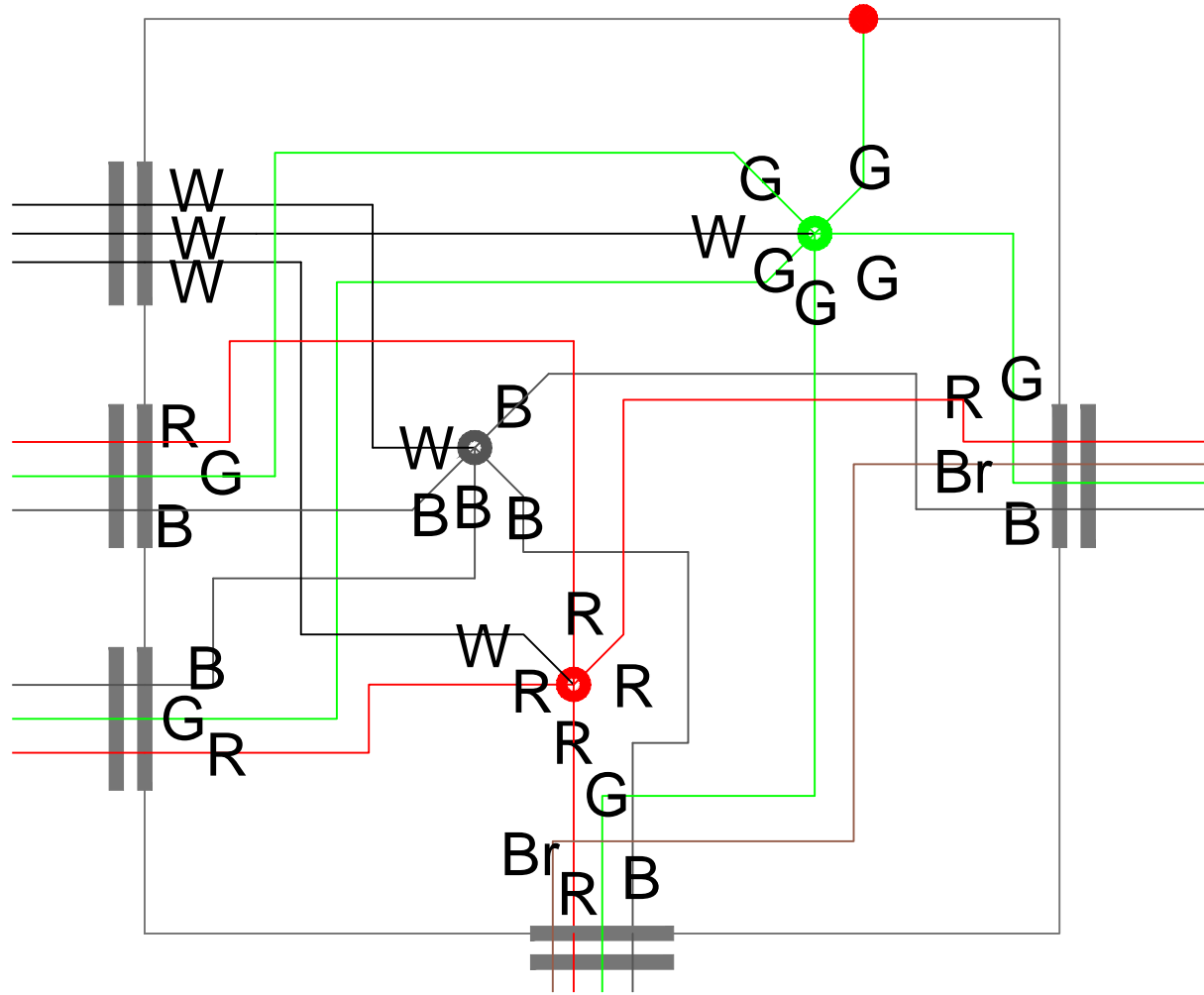


DO NOT SCALE  
 DATE: 05/16/13  
 BY: ETT

SAVED AS: 208-230 Volt PFW-XAP-BFSC-BSSC Mobile WICK Electrical LAE.dwg

NOTE: SPECIFICATIONS ARE SUBJECT TO CHANGE WITHOUT NOTICE.

# J-BOX DETAIL



- G = GREEN
- W = WHITE
- B = BLACK
- R = RED
- Br = BROWN
- Bu = BLUE
- Gy = GRAY

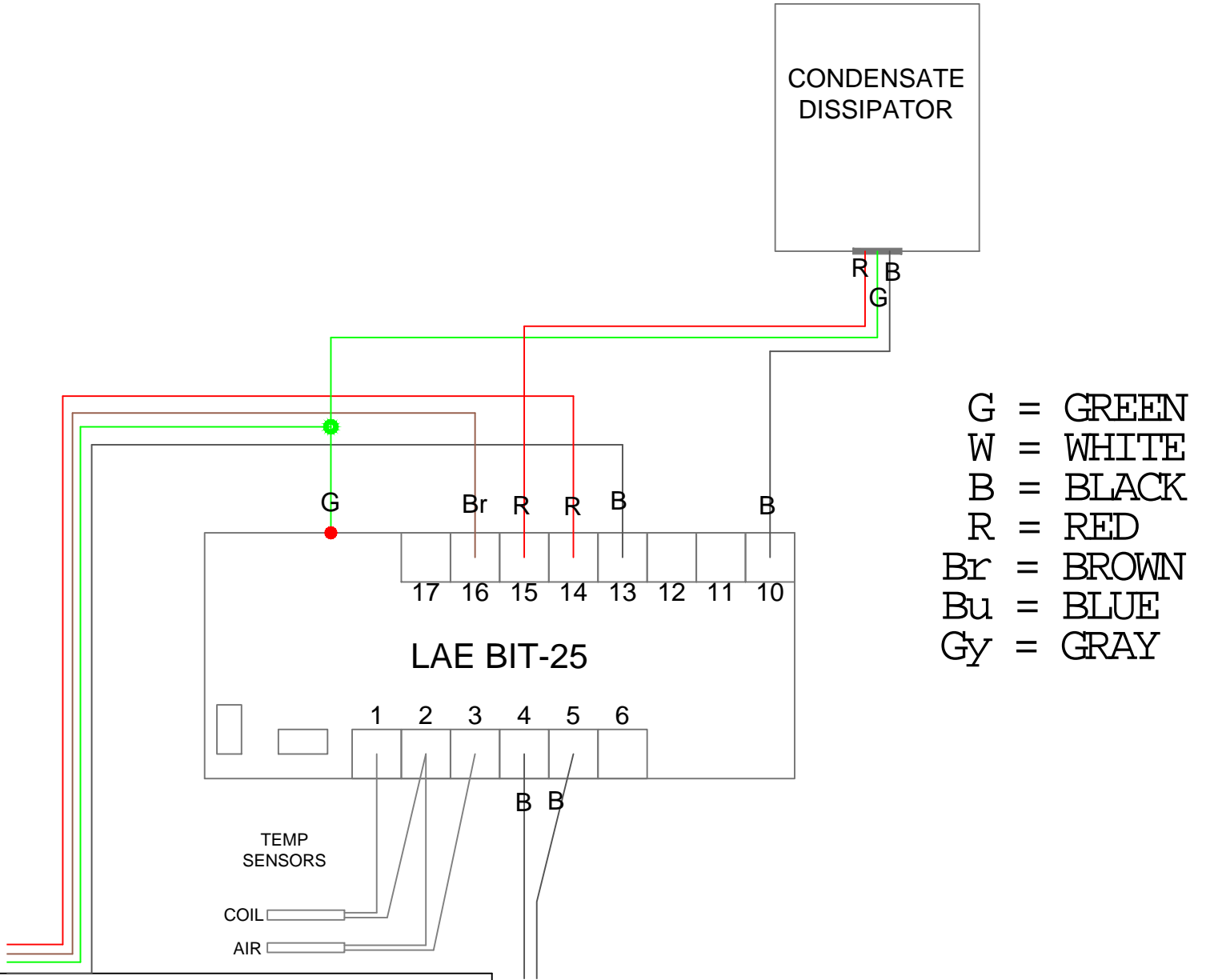
**Manufactured by:**  
**KILLION INDUSTRIES, INC.**  
 1380 Poinsettia Ave.  
 Vista, CA 92081  
 voice: 800-421-5352  
 fax: 760-727-5108  
 email: sales@killionindustries.com

**DESCRIPTION:** 208-230V PFW-XAP-BFSC-BSSC MOBILE ELECTRICAL w/ DISSIPATOR  
**CUSTOMER:** KILLION SL

**NOTICE**  
 THIS DOCUMENT CONTAINS CONFIDENTIAL AND PROPRIETARY MATERIAL WHICH IS THE PROPERTY OF KILLION INDUSTRIES, INC. AND MAY NOT BE COPIED OR REPRODUCED. THIS DOCUMENT IS LOANED AND SUBJECT TO RETURN UPON DEMAND.

**DO NOT SCALE**  
 DATE: 05/16/13  
 BY: ETT

# CONTROLLER DETAIL



- G = GREEN
- W = WHITE
- B = BLACK
- R = RED
- Br = BROWN
- Bu = BLUE
- Gy = GRAY

Manufactured by:



1380 Poinsettia Ave.  
Vista, CA 92081

voice: 800-421-5352  
fax: 760-727-5108  
email: sales@killionindustries.com

**NOTICE**  
THIS DOCUMENT CONTAINS CONFIDENTIAL AND PROPRIETARY MATERIAL WHICH IS THE PROPERTY OF KILLION INDUSTRIES, INC. AND MAY NOT BE COPIED OR REPRODUCED. THIS DOCUMENT IS LOANED AND SUBJECT TO RETURN UPON DEMAND.

DESCRIPTION: 208-230V PFW-XAP-BFSC-BSSC MOBILE ELECTRICAL w/ DISSIPATOR  
CUSTOMER: KILLION SL

DO NOT SCALE  
DATE: 05/16/13  
BY: ETT

SAVED AS: 208-230 Volt PFW-XAP-BFSC-Mobile WICK Electrical LAE.dwg