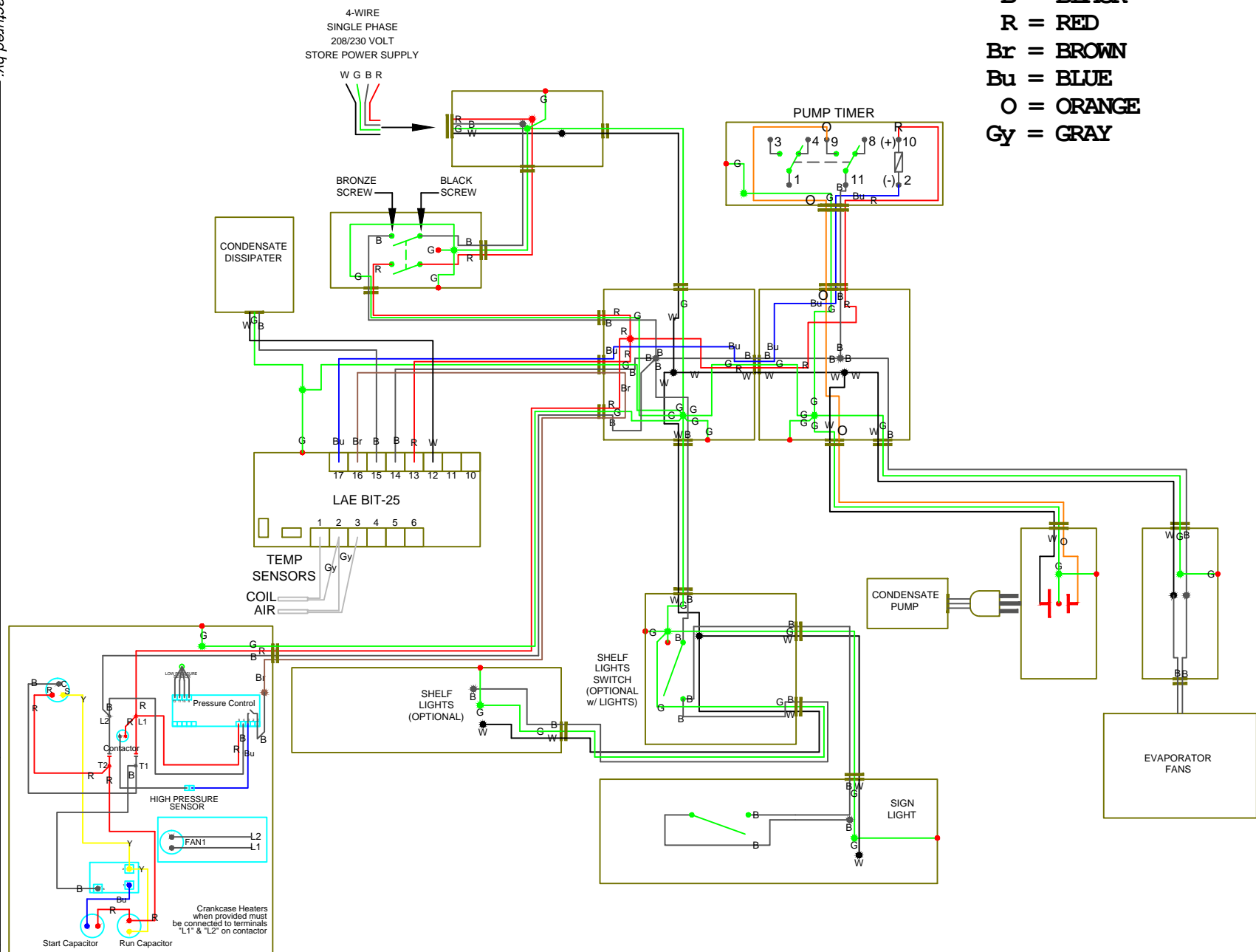


G = GREEN
W = WHITE
B = BLACK
R = RED
Br = BROWN
Bu = BLUE
O = ORANGE
Gy = GRAY



Manufactured by:
KILION
 INDUSTRIES, INC.

1380 Poinsettia Ave.
 Vista, CA 92081

voice: 800-421-5352
 fax: 760-727-5108
 email: sales@kilionindustries.com

NOTICE
 THIS DOCUMENT CONTAINS CONFIDENTIAL AND PROPRIETARY MATERIAL WHICH IS THE PROPERTY OF KILION INDUSTRIES, INC. AND MAY NOT BE COPIED, REPRODUCED, OR TRANSMITTED IN ANY FORM OR BY ANY MEANS, WITHOUT PERMISSION IN WRITING FROM KILION INDUSTRIES, INC.

CUSTOMER: **GENERIC**
 DESCRIPTION: **208-230 VOLT CAP-CIL-CEM-CFFM GENERIC ELECTRICAL W/ DISSIPATER SYSTEM**

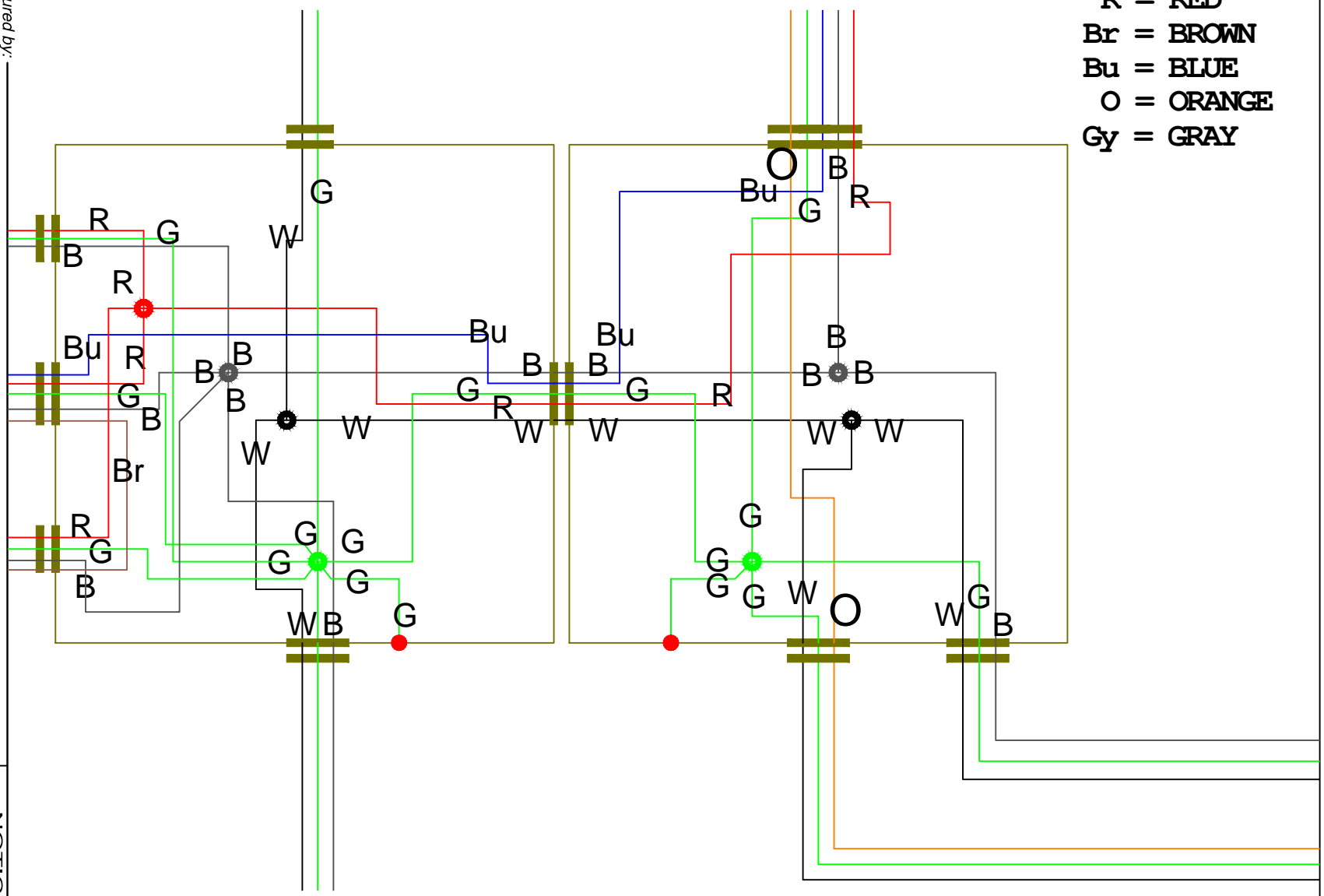
DO NOT SCALE
 DATE: 05/07/13
 BY: ETT

SAVED AS: 208-230 Volt CAP-CIL-CEM-CFFM Scroll Wick Electrical LAE.dwg

NOTE: SPECIFICATIONS ARE SUBJECT TO CHANGE WITHOUT NOTICE.

J-BOX DETAIL

- G = GREEN
- W = WHITE
- B = BLACK
- R = RED
- Br = BROWN
- Bu = BLUE
- O = ORANGE
- Gy = GRAY



Manufactured by:



1380 Poinsettia Ave.
Vista, CA 92081

voice: 800-421-5352
fax: 760-727-5108
email: sales@killionindustries.com

NOTICE
THIS DOCUMENT CONTAINS CONFIDENTIAL AND PROPRIETARY MATERIAL WHICH IS THE PROPERTY OF KILLION INDUSTRIES, INC. AND MAY NOT BE COPIED OR REPRODUCED. THIS DOCUMENT IS LOANED AND SUBJECT TO RETURN UPON DEMAND.

DESCRIPTION: 208-230 VOLT CAP-CIL-CEM-CFFM GENERIC ELECTRICAL w/ DISSIPATER SYSTEM
CUSTOMER: GENERIC

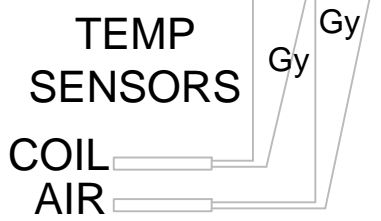
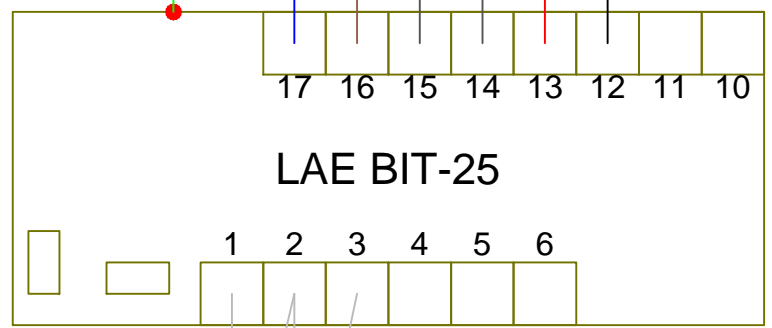
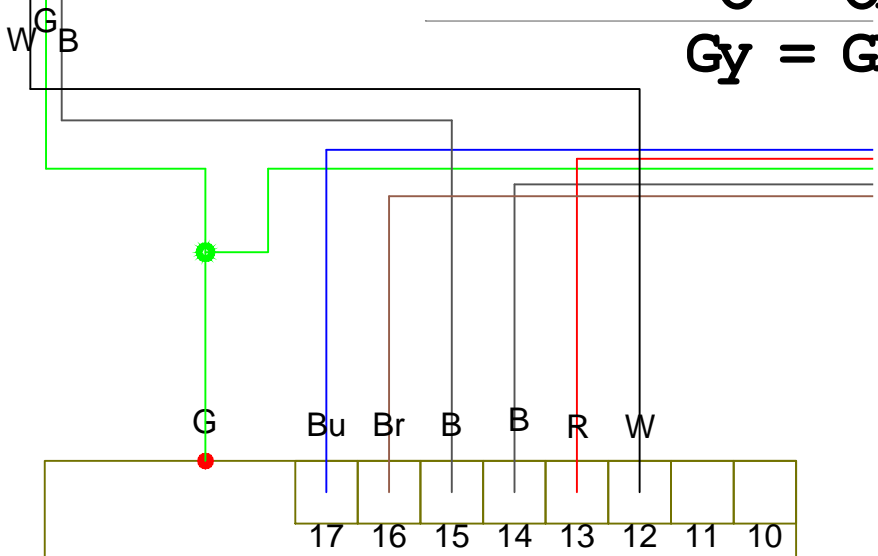
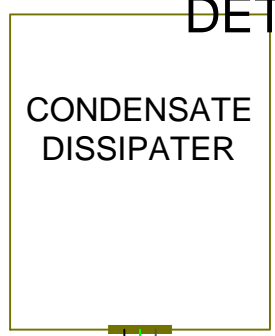
DO NOT SCALE
DATE: 05/07/13
BY: ETT

SAVED AS: 208-230 Volt CAP-CIL-CEM-CFFM Scroll Wick Electrical LAE.dwg

NOTE: SPECIFICATIONS ARE SUBJECT TO CHANGE WITHOUT NOTICE.

- G = GREEN**
- W = WHITE**
- B = BLACK**
- R = RED**
- Br = BROWN**
- Bu = BLUE**
- O = ORANGE**
- Gy = GRAY**

CONTROL LINK DETAIL



manufactured by:

1380 Poinsettia Ave.
Vista, CA 92081

voice: 800-421-5352
fax: 760-727-5108
email: sales@killionindustries.com

NOTICE

THIS DOCUMENT CONTAINS CONFIDENTIAL AND PROPRIETARY MATERIAL WHICH IS THE PROPERTY OF KILLION INDUSTRIES, INC. AND MAY NOT BE COPIED OR REPRODUCED. THIS DOCUMENT IS UNCLASSIFIED AND SUBJECT TO RETURN UPON DEMAND.

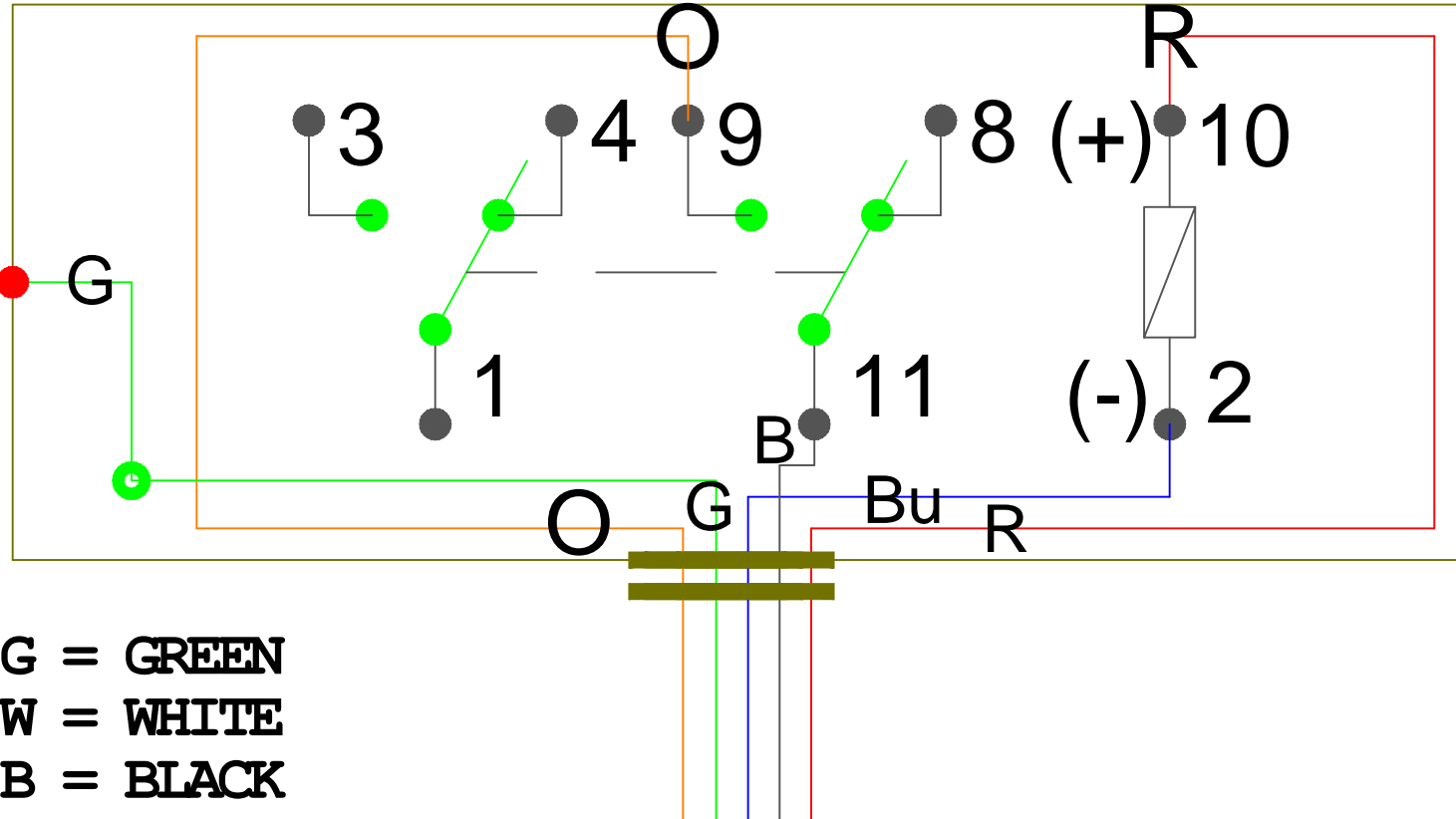
DESCRIPTION: 208-230 VOLT CAP-CIL-CEM-CFFM GENERIC ELECTRICAL w/ DISSIPATER SYSTEM
CUSTOMER: GENERIC

DO NOT SCALE
DATE: 05/07/13
BY: ETT

SAVED AS: 208-230 Volt CAP-CIL-CEM-CFFM Scroll Wick Electrical LAE.dwg

NOTE: SPECIFICATIONS ARE SUBJECT TO CHANGE WITHOUT NOTICE.

PUMP TIMER DETAIL



- G = GREEN**
- W = WHITE**
- B = BLACK**
- R = RED**
- Br = BROWN**
- Bu = BLUE**
- O = ORANGE**
- Gy = GRAY**

manufactured by:



1380 Poinsettia Ave.
Vista, CA 92081

voice: 800-421-5352
fax: 760-727-5108
email: sales@killionindustries.com

NOTICE
THIS DOCUMENT CONTAINS CONFIDENTIAL AND PROPRIETARY MATERIAL WHICH IS THE PROPERTY OF KILLION INDUSTRIES, INC. AND MAY NOT BE COPIED OR REPRODUCED. THIS DOCUMENT IS UNCLASSIFIED AND SUBJECT TO RETURN UPON DEMAND.

DESCRIPTION: 208-230 VOLT CAP-CIL-CEM-CFFM GENERIC ELECTRICAL w/ DISSIPATER SYSTEM
CUSTOMER: KILLION INDUSTRIES, INC.
GENERAL

DO NOT SCALE

DATE: 05/07/13

BY: ETT

SAVED AS: 208-230 Volt CAP-CIL-CEM-CFFM Scroll Wick Electrical LAE.dwg

NOTE: SPECIFICATIONS ARE SUBJECT TO CHANGE WITHOUT NOTICE.